



Concealed
Hinge
with Adjustable
Soft-Close

A NEW STEP FOR HINGE TECHNOLOGY

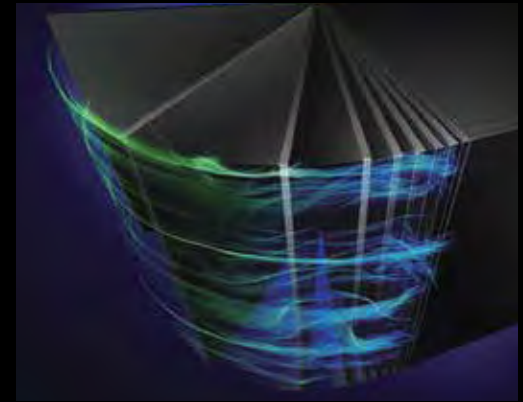
OLYMPIA

360 POWERED BY  Lapcon.

■ ■
concept
01
■ ■



5-speed adjustable soft close.
The first Sugatsune concealed hinge ever
built with Lapcon technology.



This is the first time Sugatsune's unique Lapcon technology has ever been used inside a concealed hinge. The innovative rotary damper is not only extremely compact with a sleek overall design, but its force can also be adjusted to perfection in 5 steps, regardless of the door size or weight.

concept
02

Successfully passed
200,000 cycles test.

Turn your furniture into timeless pieces
that will flawlessly perform a lifetime.

Despite official requirements by JIS
(Japanese Standards) which requires
40,000 cycles, the Olympia hinge has
cleared 5 times as many to ensure that
you will always be able to open and
close your doors without worry.
(The H360 successfully passed
100,000 private cycle test)



concept
03



Smooth assembly for a
time-saving installation.

Using our original snap-on system for easy installation, the Olympia hinge can
be installed by simply pushing it from the top. This simplifies the installation
compared to a traditional front-first installation, especially in cases where
multiple hinges are used.

One screwdriver for a one-handed
3D adjustment.

concept
04



Depth, vertical and horizontal adjustment
screws are all located on top. This is made
possible by the placement of our damper.

For standard doors (360)

Depth adjustment: +1.5mm, -2.5mm
Vertical adjustment: ± 2.5 mm
Overlay (Horizontal) adjustment: +0, -4mm

For thick doors (H360)

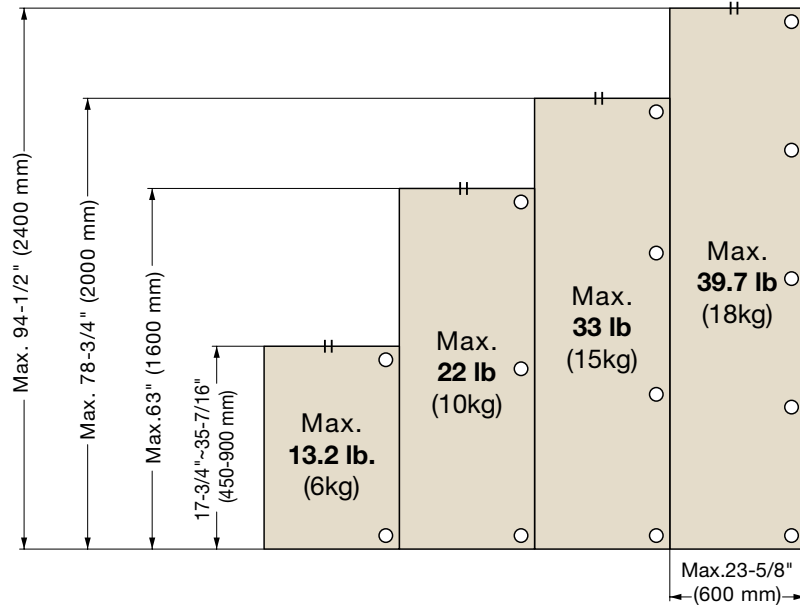
Depth adjustment: +1.7mm, -2.8mm
Vertical adjustment: ± 2.5 mm
Overlay (Horizontal) adjustment: +0, -4mm

HINGE QUANTITY (Recommended)

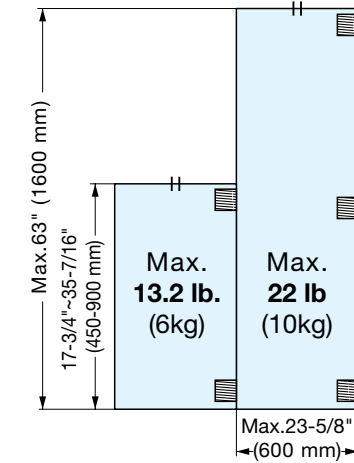
360 Olympia Hinge



■ Standard wood doors 360



■ Glass doors 360 and GH-360FP

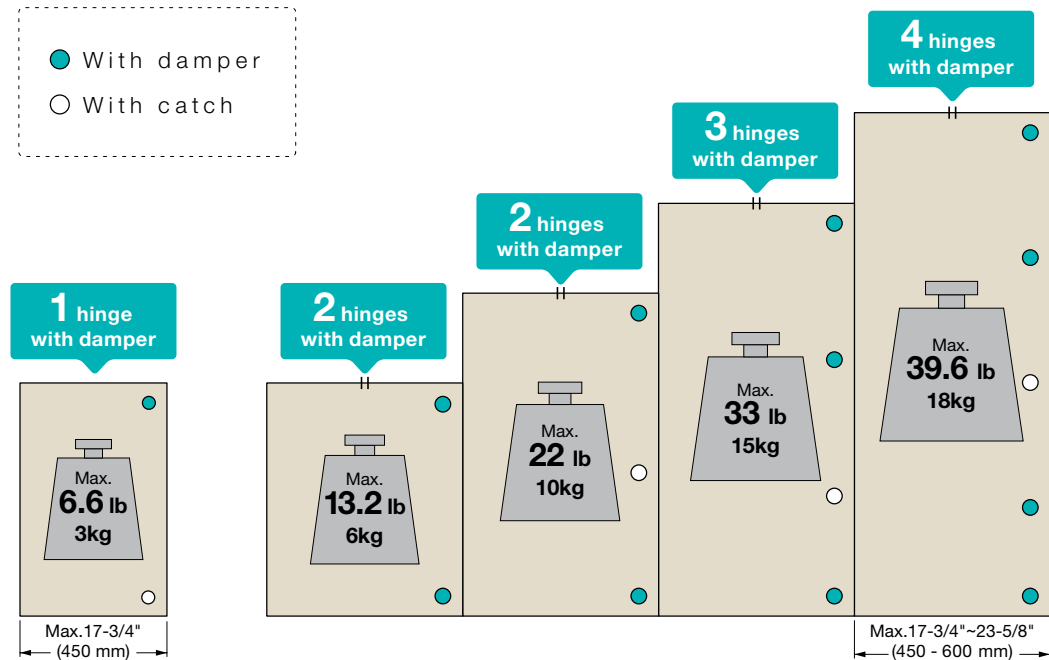


Door width	Door thickness	Material density	Installation pitch
Max. 23-5/8" (600 mm)	Max. 13/16" (20 mm)	Max. 0.6 mm	Min. 11 13/16" (300 mm)

Glass thickness	Installation pitch
3/16~1/4" (4-6 mm)	Min. 11 13/16" (300 mm)

RECOMMENDED TYPE OF DAMPER PER INSTALLATION

- With damper
- With catch

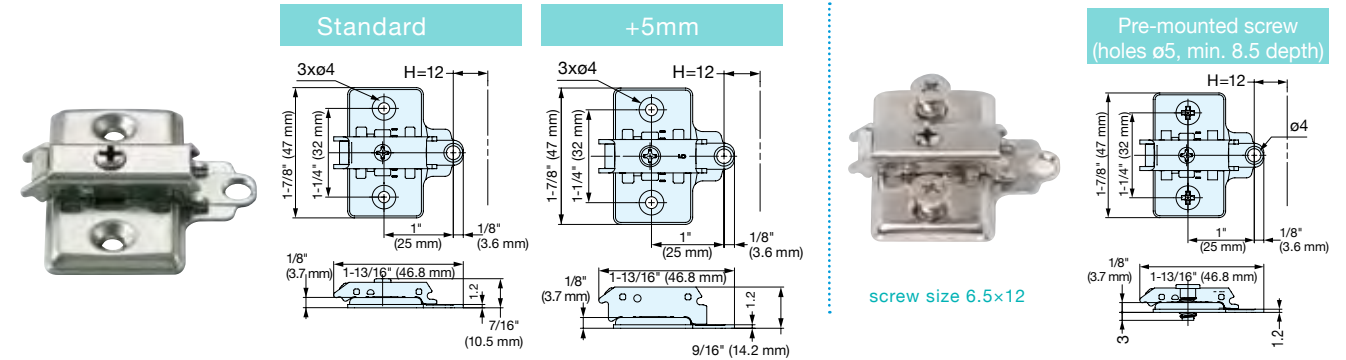


• Please set the door center of gravity as the door center. • If you want to increase the door width, please increase the number of hinges accordingly. • Attach the upper and lower hinges within 100 mm from the edge of the door. When using three or more, install at regular intervals. • Figures shown in the tables above are only indicative. Please always test before finalizing your design. • Please contact us for any other configuration. • The dimensions of the door and the number of hinges mounted are the results of tests made according to the JIS standard. • All screw holes should be used.

MOUNTING PLATES



360-P4W-32T

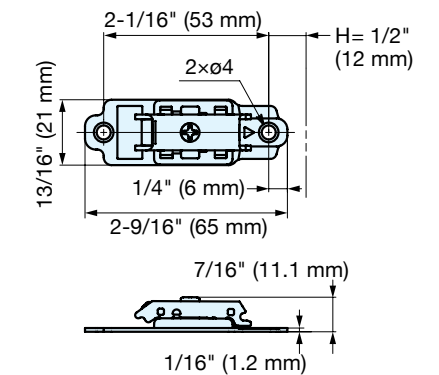


- Value of H for inset installation is "door thickness + 17 mm".
- When using with the GH-360FP, value of H is "door thickness + 19 mm"

Item No.	Type	Height Adjust	Material	Finish	Carton
360-P4W-32T	Standard	±2.5mm	Steel	Nickel	400pcs
360-P4W-32T+5	+5mm				
360-P4W-32T-DS	Pre-mounted screw				

MOUNTING PLATE (STRAIGHT TYPE)

360-P3W-53T



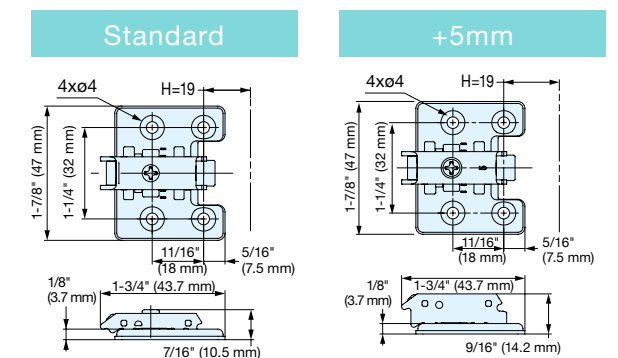
- The slim design gives a sleek look.
- When used with two H360 hinges, door specs should be:
Door width Max 17-3/4" 450 mm
Door weight Max 15.4 lb (7 kg)

Item No.	Material	Finish
360-P3W-53T	Steel	Nickel Plating

MOUNTING PLATES 4 HOLES



360-P6WT



- For the standard and +5mm types:
- Value of H for inset installation is "door thickness + 24 mm".
 - When using with the GH-360FP, value of H is "door thickness + 26 mm"
- For the +7.5mm type:
- Value of H for inset installation is "door thickness + 16.5 mm".
 - When using with the GH-360FP, value of H is "door thickness + 18.5 mm".

Item name	Type	Height Adjust	Material	Finish	Carton
360-P6WT	Standard	±2.5mm	Steel	Nickel	400pcs
360-P6WT+5	+5mm				

CONCEALED HINGE WITH ADJUSTABLE SOFT-CLOSE



360-26/C26/D26-19T/19T85

(19 mm overlay)



5-speed damper power adjustment lever

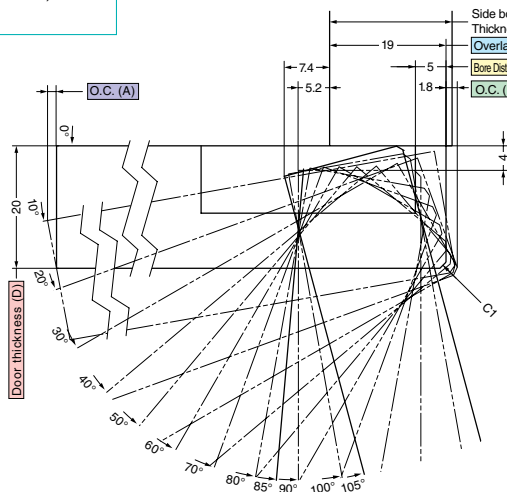
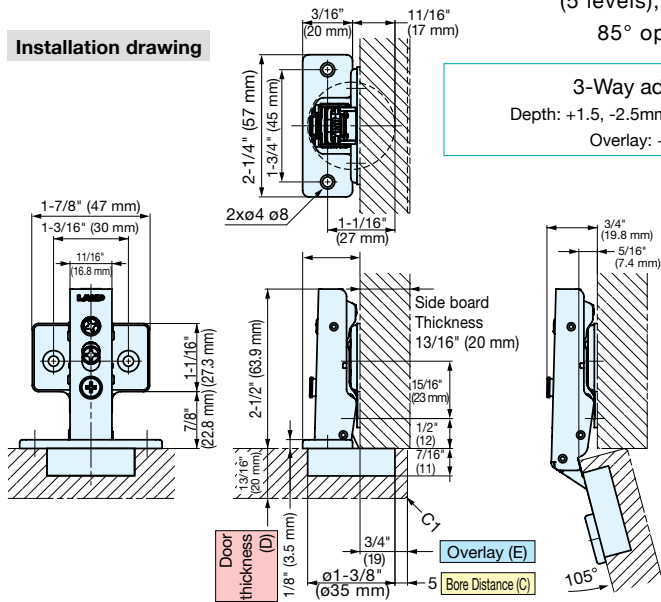
With damper function (5 levels), 105° and 85° opening

- Featuring 5-speed adjustable damper.
- Load capacity: 6 kg (13.2 lbs)/2 pcs, 10 kg (22 lbs)/3 pcs.
- Maximum door width: 600 mm (23-5/8").
- Maximum door thickness: 20mm (13/16")
- Clip on type for easy installation.
- 3-way adjustment with door installed.
- Mounting plate sold separately.
- Successfully passed 200,000 cycles test.
- Face frame cabinet bracket (FFCB-HG-1) required to install 360 Olympia overlay hinge on face frame cabinets. 1 bracket per hinge needed.
- FFCB-HG-1 is sold separately per piece (pg 18).



Locus chart S=1/1

Installation drawing



Drawings show a hinge, face plate and 360-P4W-30T mounting plate (sold separately).

Opening Clearance (O.C.)

Clearances for door edge O.C. (A) and hinge side O.C. (B) are necessary. O.C. (A) and (B) change depending on door thickness and bore distance (C). Refer to locus chart and tables below when designing cabinets.

Opening clearance (B), door thickness (D) and bore distance (C) relationship

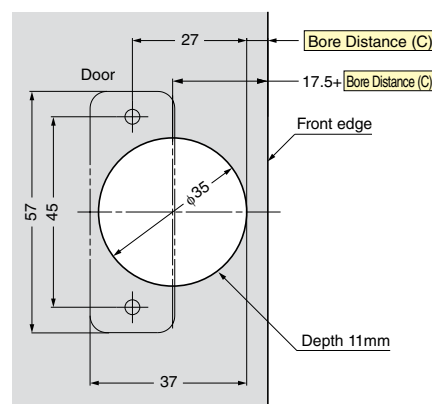
Door Thickness (D)	Bore Distance (C)		
	3	4	5
15	0.6	0.6	0.5
16	0.8	0.8	0.7
17	1.0	1.0	1.0
18	1.3	1.3	1.2
19	1.6	1.6	1.5
20	2	1.9	1.8
21*	2.4	2.3	2.2
22*	2.8	2.7	2.6

O.C. (B)

* The table above shows O.C. (B) for C1 chamfering (chamfer plane).

* Please refer to the locus chart if door thickness is over 20mm. O.C. (B) can be made smaller by R chamfering (round chamfer) and C chamfering (chamfer plane) on the door.

Cut out dimensions (wooden doors)



Item No.	Opening angle	Type	Material	Finish	Carton
360-D26-19T	105°	Soft close (5 levels)	Steel	Nickel	100pcs
360-26-19T		Free swinging			200pcs
360-C26-19T		Self-closing			
360-U26-19T		Self-opening			
360-D26-19T85	85°	Soft close (5 levels)	Steel	Nickel	100pcs
360-26-19T85		Free swinging			200pcs
360-C26-19T85		Self-closing			

CONCEALED HINGE WITH ADJUSTABLE SOFT-CLOSE



360-26/C26/D26/U26-14T/14T85

(14 mm overlay)



5-speed damper power adjustment lever

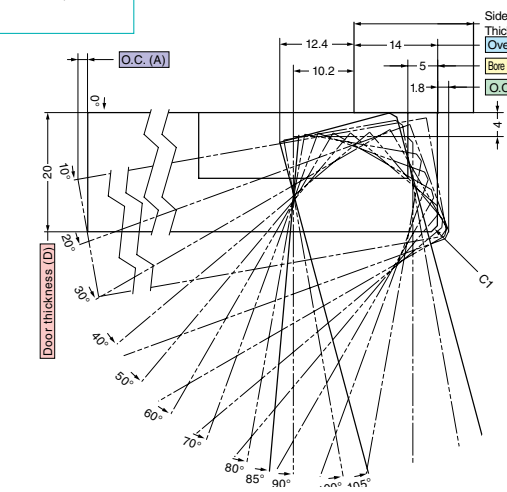
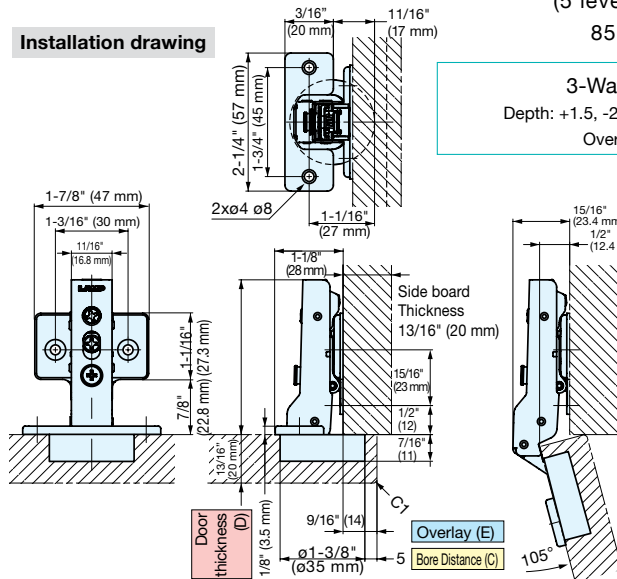
With damper function (5 levels), 105° and 85° opening

- Featuring 5-speed adjustable damper.
- Load capacity: 6 kg (13.2 lbs)/2 pcs, 10 kg (22 lbs)/3 pcs.
- Maximum door width: 600 mm (23-5/8").
- Maximum door thickness: 20mm (13/16")
- Clip on type for easy installation.
- 3-way adjustment with door installed.
- Mounting plate sold separately.
- Successfully passed 200,000 cycles test.
- Face frame cabinet bracket (FFCB-HG-1) required to install 360 Olympia overlay hinge on face frame cabinets. 1 bracket per hinge needed.
- FFCB-HG-1 is sold separately per piece (pg 18).



Locus chart S=1/1

Installation drawing



Drawings show a hinge, face plate and 360-P4W-30T mounting plate (sold separately).

Opening Clearance (O.C.)

Clearances for door edge O.C. (A) and hinge side O.C. (B) are necessary. O.C. (A) and (B) change depending on door thickness and bore distance (C). Refer to locus chart and tables below when designing cabinets.

Opening clearance (B), door thickness (D) and bore distance (C) relationship

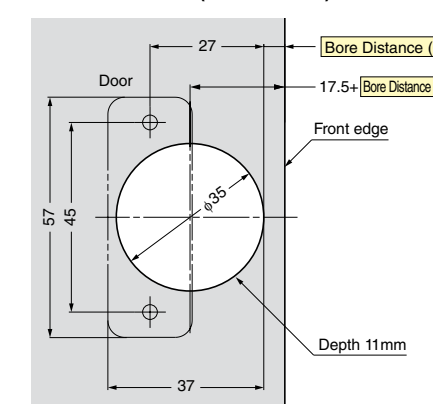
Door Thickness (D)	Bore Distance (C)		
	3	4	5
15	0.6	0.6	0.5
16	0.8	0.8	0.7
17	1.0	1.0	1.0
18	1.3	1.3	1.2
19	1.6	1.6	1.5
20	2	1.9	1.8
21*	2.4	2.3	2.2
22*	2.8	2.7	2.6

O.C. (B)

* The table above shows O.C. (B) for C1 chamfering (chamfer plane).

* Please refer to the locus chart if door thickness is over 20mm. O.C. (B) can be made smaller by R chamfering (round chamfer) and C chamfering (chamfer plane) on the door.

Cut out dimensions (wooden doors)



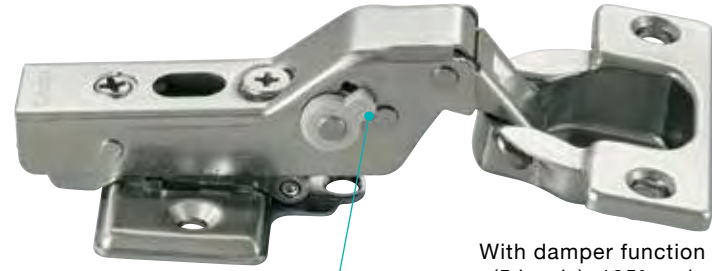
Item No.	Opening angle	Type	Material	Finish	Carton
360-D26-14T	105°	Soft close (5 levels)	Steel	Nickel	100pcs
360-26-14T		Free swinging			200pcs
360-C26-14T		Self-closing			
360-U26-14T		Self-opening			
360-D26-14T85	85°	Soft close (5 levels)	Steel	Nickel	100pcs
360-26-14T85		Free swinging			200pcs
360-C26-14T85		Self-closing			

CONCEALED HINGE WITH ADJUSTABLE SOFT-CLOSE



360-26/C26/D26/U26-9T/9T85

(9 mm overlay)



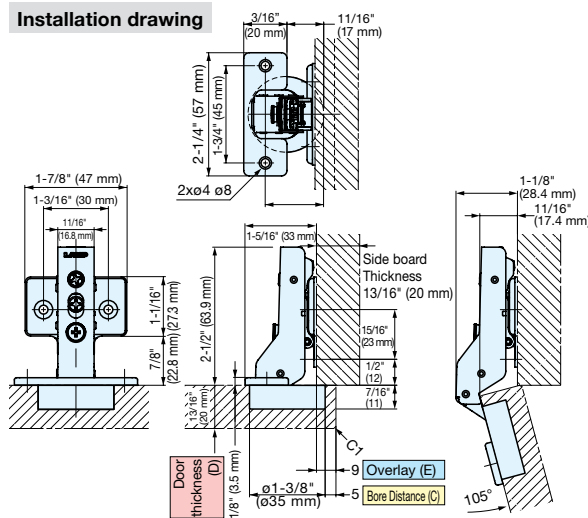
With damper function (5 levels), 105° and 85° opening

5-speed damper power adjustment lever

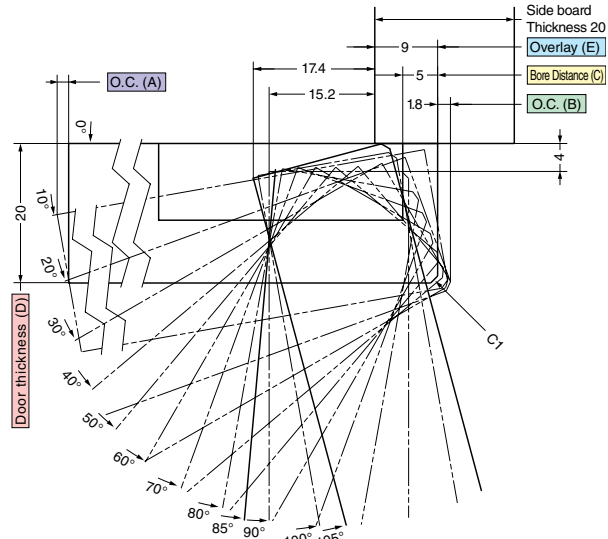
- Featuring 5-speed adjustable damper.
- Load capacity: 6 kg (13.2 lbs)/2 pcs, 10 kg (22 lbs)/3 pcs.
- Maximum door width: 600 mm (23-5/8").
- Maximum door thickness: 20mm (13/16")
- Clip on type for easy installation.
- 3-way adjustment with door installed.
- Mounting plate sold separately.
- Successfully passed 200,000 cycles test.
- Face frame cabinet bracket (FFCB-HG-1) required to install 360 Olympia overlay hinge on face frame cabinets. 1 bracket per hinge needed.
- FFCB-HG-1 is sold separately per piece (pg 18).



Installation drawing



Locus chart S=1/1



Drawings show a hinge, face plate and 360-P4W-30T mounting plate (sold separately).

Opening Clearance (O.C.)

Clearances for door edge O.C. (A) and hinge side O.C. (B) are necessary. O.C. (A) and (B) change depending on door thickness and bore distance (C). Refer to locus chart and tables below when designing cabinets.

Opening clearance (B), door thickness (D) and bore distance (C) relationship

Door Thickness (D)	Bore Distance (C)		
	3	4	5
15	0.6	0.6	0.5
16	0.8	0.8	0.7
17	1.0	1.0	1.0
18	1.3	1.3	1.2
19	1.6	1.6	1.5
20	2	1.9	1.8
21*	2.4	2.3	2.2
22*	2.8	2.7	2.6

O.C. (B)

* The table above shows O.C. (B) for C1 chamfering (chamfer plane).
* Please refer to the locus chart if door thickness is over 20mm. O.C. (B) can be made smaller by R chamfering (round chamfer) and C chamfering (chamfer plane) on the door.

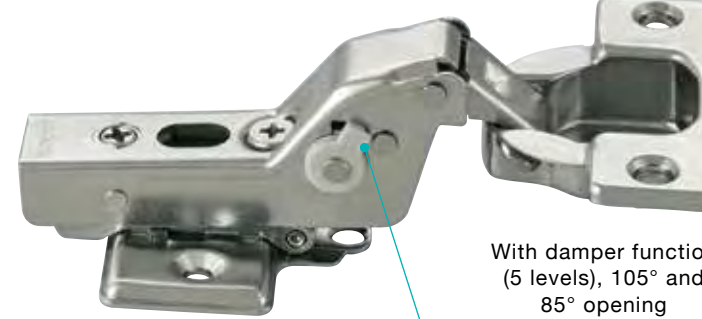
Item No.	Opening angle	Type	Material	Finish	Carton
360-D26-9T	105°	Soft close (5 levels)	Steel	Nickel	100pcs
360-26-9T		Free swinging			
360-C26-9T		Self-closing			
360-U26-9T	Self-opening	200pcs			
360-D26-9T85	Soft close (5 levels)				
360-26-9T85	Free swinging				
360-C26-9T85	Self-closing	200pcs			

CONCEALED HINGE WITH ADJUSTABLE SOFT-CLOSE



360-26/C26/D26/U26-OT

(Inset)



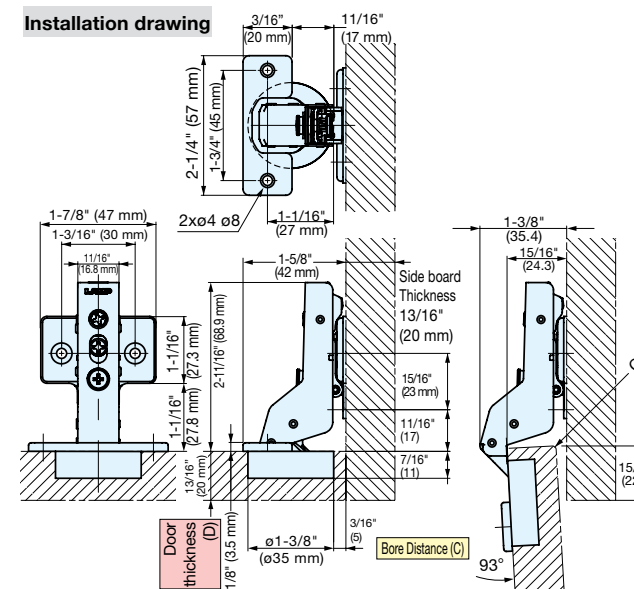
With damper function (5 levels), 105° and 85° opening

5-speed damper power adjustment lever

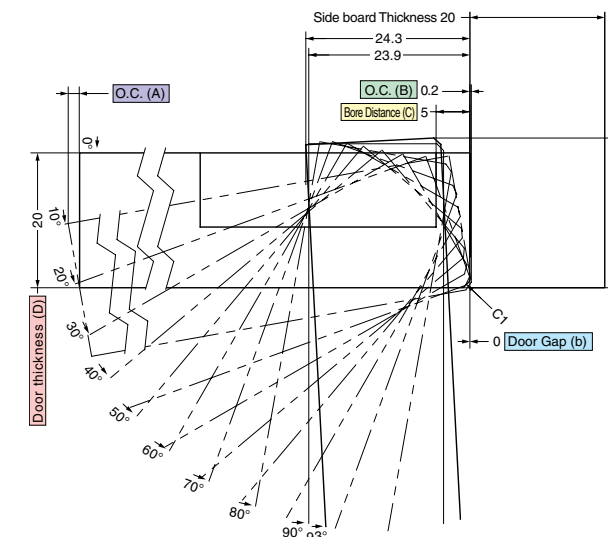
- Featuring 5-speed adjustable damper.
- Load capacity: 6 kg (13.2 lbs)/2 pcs, 10 kg (22 lbs)/3 pcs.
- Maximum door width: 600 mm (23-5/8").
- Maximum door thickness: 20mm (13/16")
- Clip on type for easy installation.
- 3-way adjustment with door installed.
- Mounting plate sold separately.
- Successfully passed 200,000 cycles test.
- Face frame cabinet bracket (FFCB-HG-1) not designed to work with Olympia inset hinge.



Installation drawing



Locus chart S=1/1



Drawings show a hinge, face plate and 360-P4W-30T mounting plate (sold separately).

Opening Clearance (O.C.)

Clearances for door edge O.C. (A) and hinge side O.C. (B) are necessary. O.C. (A) and (B) change depending on door thickness and bore distance (C). Refer to locus chart and tables below when designing cabinets.

Opening clearance (B), door thickness (D) and bore distance (C) relationship

Door Thickness (D)	Bore Distance (C)		
	3	4	5
15	0	0	0
16	0	0	0
17	0	0	0
18	0	0	0
19	0.1	0.1	0.1
20	0.3	0.3	0.2
21*	0.5	0.4	0.4
22*	1.0	0.7	0.7

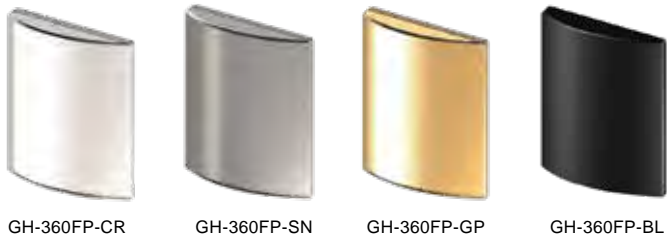
O.C. (B)

* The table above shows O.C. (B) for C1 chamfering (chamfer plane).
* Please refer to the locus chart if door thickness is over 20mm. O.C. (B) can be made smaller by R chamfering (round chamfer) and C chamfering (chamfer plane) on the door.

Item No.	Opening angle	Type	Material	Finish	Carton
360-D26-0T	93°	Soft close (5 levels)	Steel	Nickel	100pcs
360-26-0T		Free swinging			
360-C26-0T		Self-closing			200pcs
360-U26-0T		Self-opening			

GLASS DOOR FACE PLATE for Olympia Hinge

GH-360FP

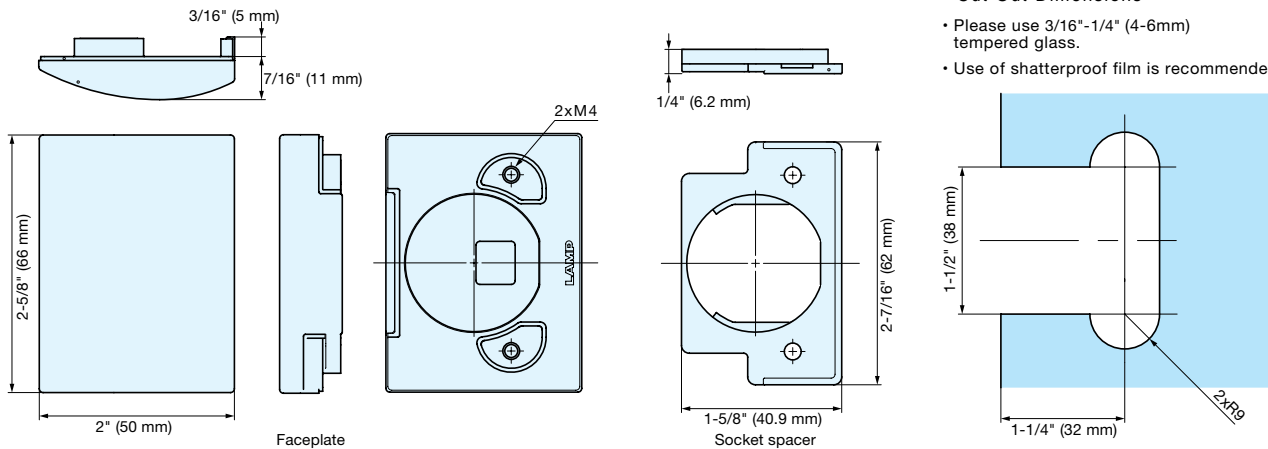


- Glass door face plate designed specifically for the Olympia hinge. (Not suitable for the H360 hinge).
- For tempered glass doors.

Item No.	Finish / Color	Material
GH-360FP-CR	Chrome Plating	Zinc Alloy (ZDC) Polyacetal (POM)
GH-360FP-SN	Satin Nickel	
GH-360FP-GP	24K Gold Plating	
GH-360FP-BL	Black	

Cut Out Dimensions

- Please use 3/16" - 1/4" (4-6mm) tempered glass.
- Use of shatterproof film is recommended.

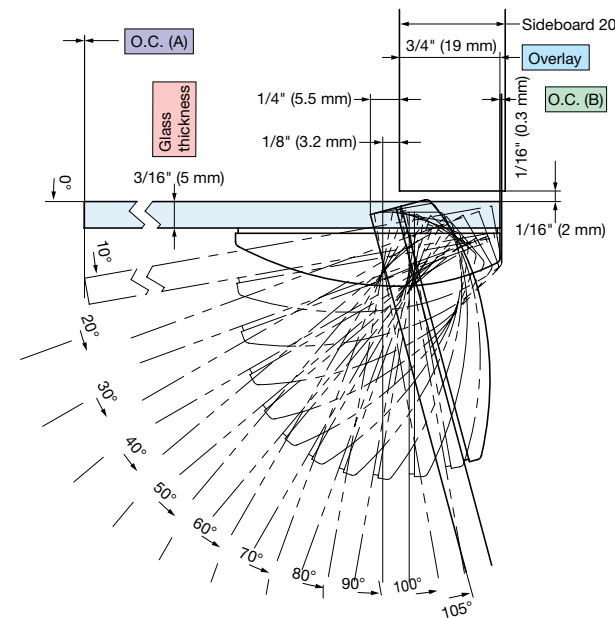


Side board and face plate relationship

► For a 3/16" (5 mm) door, 13/16" (20 mm) sideboard and 3/4" (19 mm) overlay.

► For a 3/16" (5 mm) door, 13/16" (20 mm) sideboard and inset installation.

Locus chart S=7/10 Overlay (3/4" (19 mm))

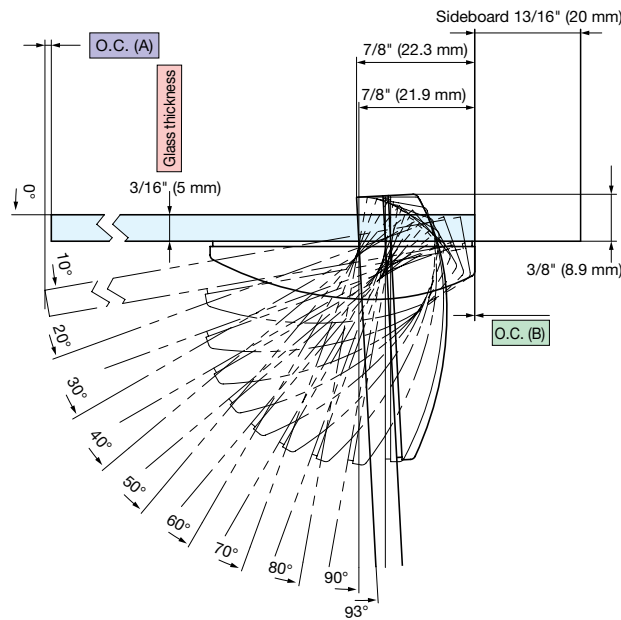


Opening clearance (O.C.)	Glass thickness 3/16" (4 mm)	3/16" (5 mm)	1/4" (6 mm)
O.C. (B)	0.2	0.3	0.5

Opening clearance (A) and door width relationship (for 3/16" (5mm) door)

Glass width	11-13/16" (300 mm)	15-3/4" (400 mm)	19-11/16" (500 mm)	23-5/8" (600 mm)
O.C. (A)	0.07	0.05	0.04	0.03

Locus chart S=7/10 Inset

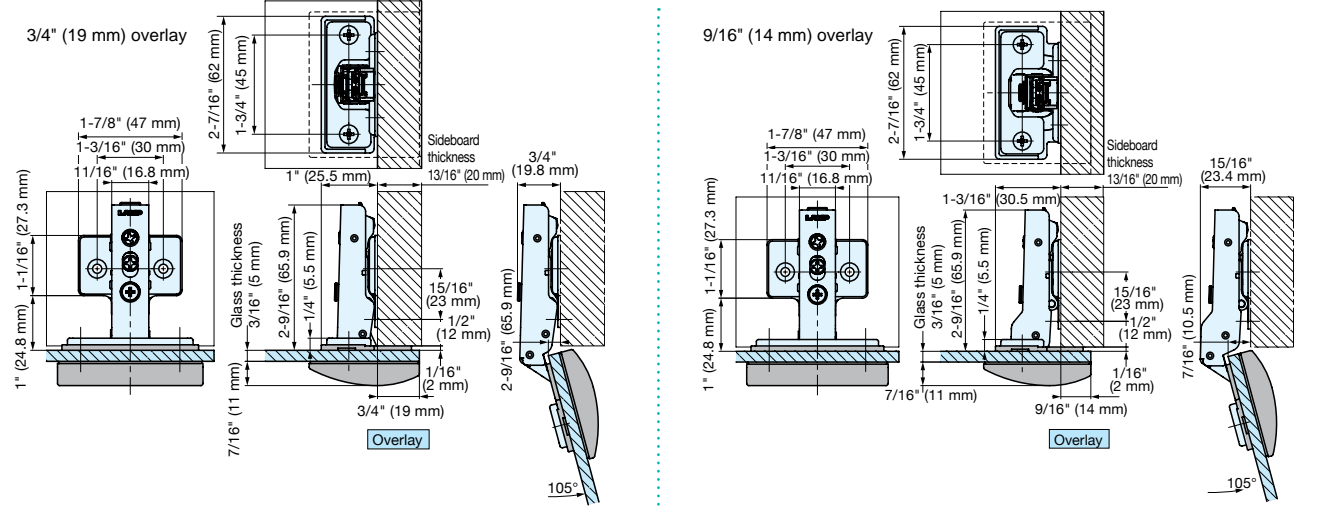


Opening clearance (O.C.)	Glass thickness 3/16" (4 mm)	3/16" (5 mm)	1/4" (6 mm)
O.C. (B)	0	0	0

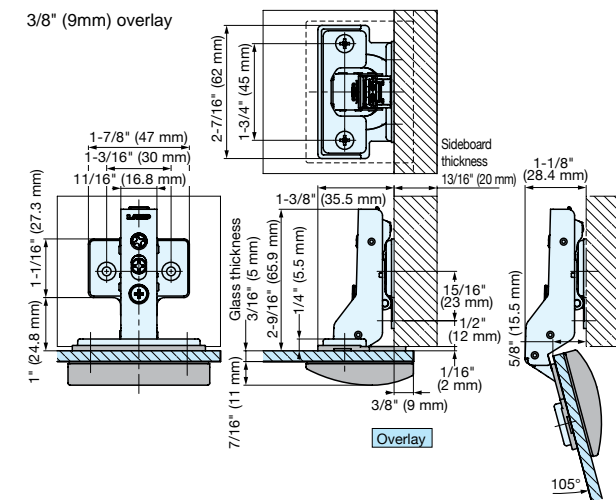
Opening clearance (A) and door width relationship (for 3/16" (5mm) door)

Glass width	11-13/16" (300 mm)	15-3/4" (400 mm)	19-11/16" (500 mm)	23-5/8" (600 mm)
O.C. (A)	0.34	0.25	0.19	0.16

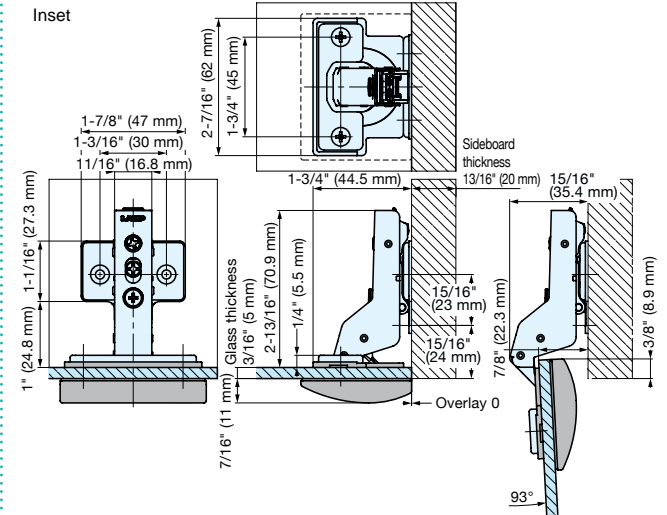
Installation drawing



3/8" (9mm) overlay



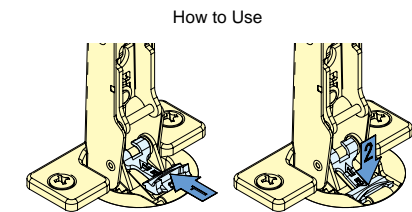
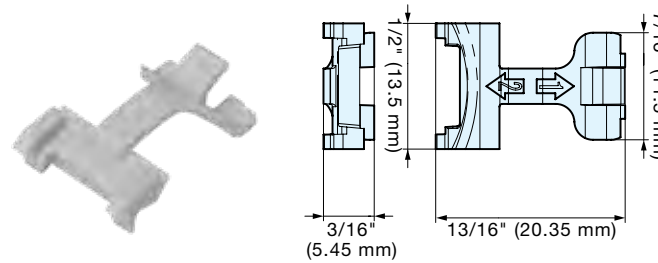
Inset



Drawings show a hinge, face plate and 360-P4W-30T mounting plate (sold separately).

85° ANGLE LIMITER

360-85



- Can be retrofitted to a 105° opening Olympia hinge (standard door) to limit the opening angle to 85°.

INSTALLATION JIG

360-JIG



- For easy installation and alignment of the Olympia hinge mounting plate.
- Cannot be used in combination with 360-P6W32-32T and pre-mounted screw mounting plates.



BODY COVERS Hides screws for a sleek look

360HC-19H26-NI
(19 and 26 mm OVERLAY)



- Available Hinge
360 (19 mm overlay type)
H360 (26 mm overlay type)

360HC-9H16-NI
(9 and 16 mm OVERLAY)



- Available Hinge
360 (9 mm overlay type)
H360 (16 mm overlay type)

360HC-0H0-NI
(INSET)

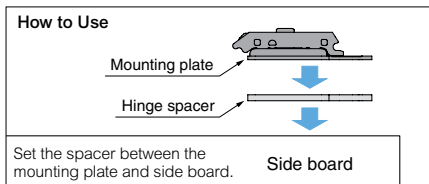


- Available Hinge
360 (inset type)
H360 (inset type)

Item No.	Material	Finish	Weight (g)
360HC-19H26-NI	Steel	Nickel Plating	2.6
360HC-9H16-NI			2.2
360HC-0H0-NI			2.7

HINGE SPACERS

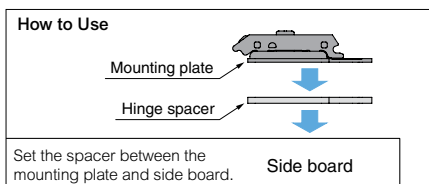
360-DP2-P4 2 mm Thick
for 2 Holes / OLYMPIA Series



- Decreases overlay of outset doors by 2 mm.
- Increases clearance of inset doors by 2 mm.
- Can be doubled for 4 mm thickness.
- Available Mounting Plate:
360-P4W-30T
360-P4W-30T+5
360-P4W-32T
360-P4W-32T+5

Item No	Material	Color	Weight (g)	Box (pcs)	Carton (pcs)
360-DP2-P4	POM	Grey	2.6	50	500

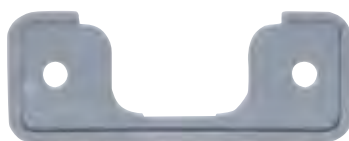
360-DP2-P6 2 mm Thick
for 4 Holes / OLYMPIA Series



- Decreases overlay of outset doors by 2 mm.
- Increases clearance of inset doors by 2 mm.
- Can be doubled for 4 mm thickness.
- Available Mounting Plate:
360-P6WT
360-P6WT+5

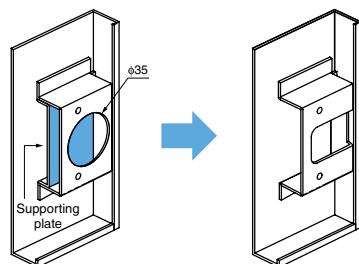
Item No	Material	Color	Weight (g)	Box (pcs)	Carton (pcs)
360-DP2-P6	POM	Grey	2.9	50	500

SHEET METAL SPACER 360-BCS



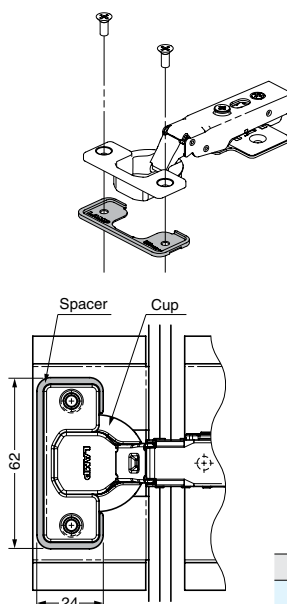
◦Without the spacer

◦With the spacer

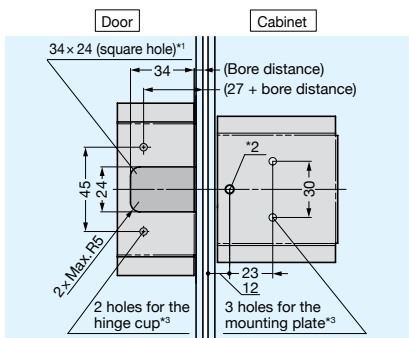


Supporting plates are required at the depth of 11 mm below the hinge cup.

No supporting plates are needed.



- Allows for easier mount on sheet metal of the Olympia hinges. (Cup diameter: 35 mm)



*1: No supporting plates for hinge cups are needed.
*2: Please process chamfering on the holes. (ø 5.1)
*3: Female threading is required including nut welding and burring process. (Recommended size: M4)

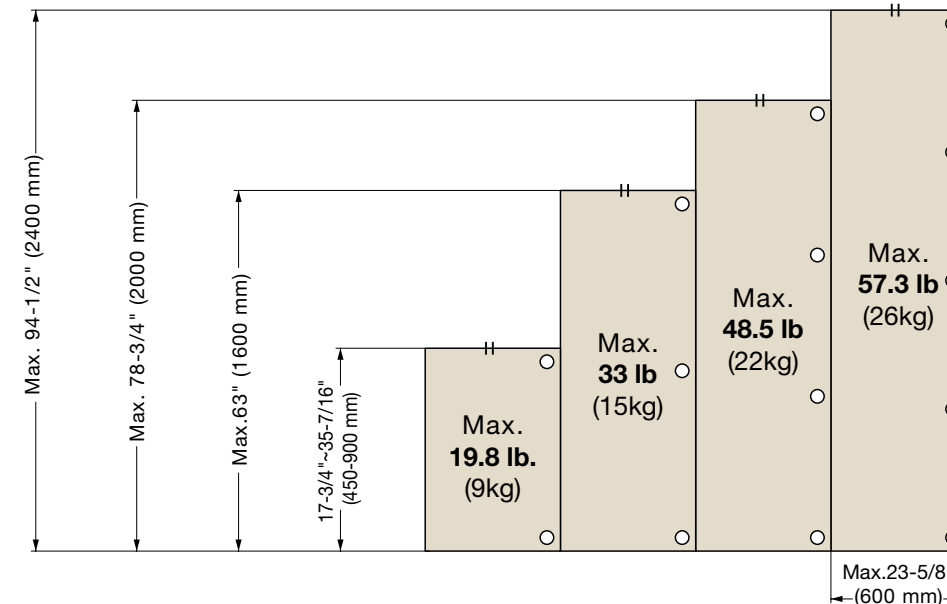
Item No	Material	Box (pcs)
360-BCS	POM	500

HINGE QUANTITY (Recommended)

H360 THICK DOOR HINGES

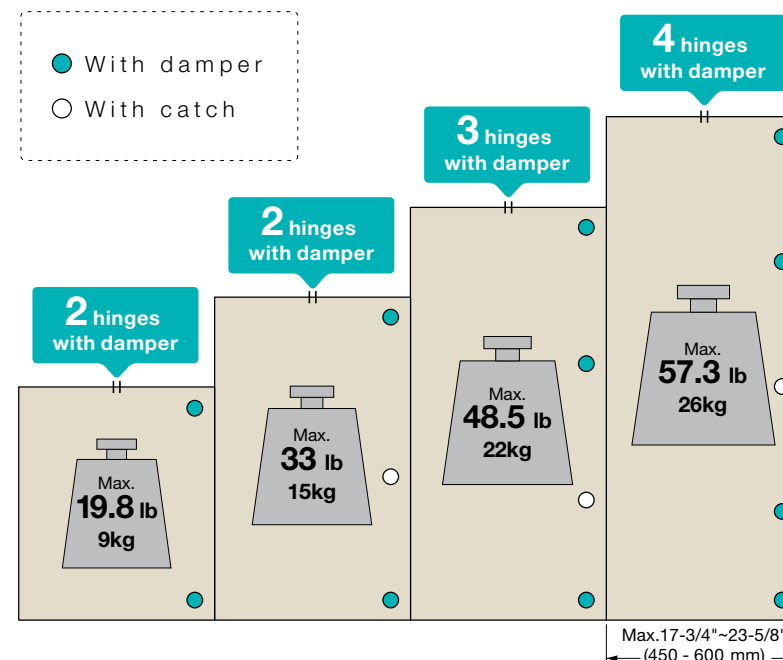


■ Thick wood doors H360



Door width	Door thickness	Material density	Installation pitch
Max. 23-5/8" (600 mm)	Max. 1-3/16" (30 mm)	Max. 0.6 mm	Min. 11-13/16" (300 mm)

RECOMMENDED TYPE OF DAMPER PER INSTALLATION



• Please set the door center of gravity as the door center. • If you want to increase the door width, please increase the number of hinges accordingly. • Attach the upper and lower hinges within 100 mm from the edge of the door. When using three or more, install at regular intervals. • Figures shown in the tables above are only indicative. Please always test before finalizing your design. • Please contact us for any other configuration. • The dimensions of the door and the number of hinges mounted are the results of tests made according to the JIS standard. • All screw holes should be used.

THICK DOOR CONCEALED HINGE WITH ADJUSTABLE SOFT-CLOSE

H360-26/C26/D26-26T

(26 mm overlay)



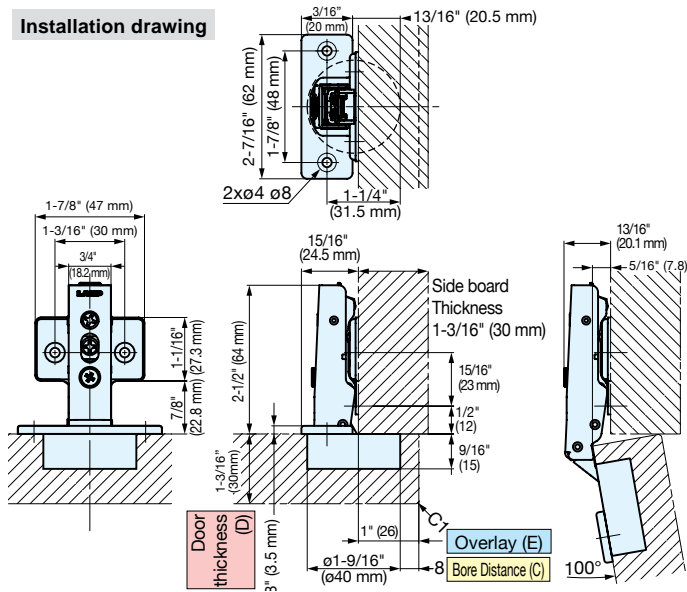
5-speed damper power adjustment lever

FOR THICK DOORS,
With damper function
(5 levels), 100° opening

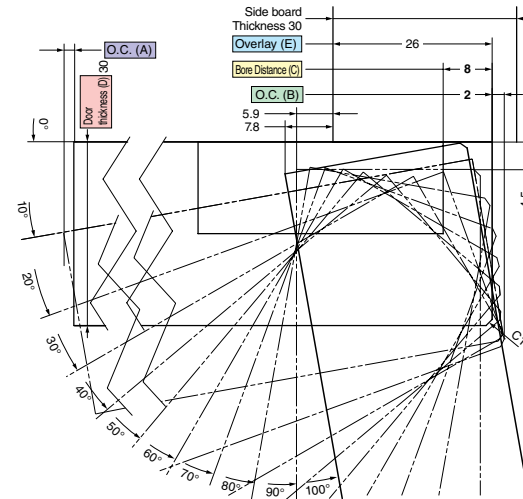
- Featuring 5-speed adjustable damper.
- Load capacity: 9 kg (19.8 lbs)/2 pcs, 15 kg (33 lbs)/3 pcs.
- Maximum door width: 600 mm (23-5/8").
- Maximum door thickness: 30 mm (1-3/16")
- Clip on type for easy installation.
- 3-way adjustment with door installed.
- Mounting plate sold separately.
- Successfully passed 200,000 cycles test.



Installation drawing



Locus chart S=1/1



Drawings show a hinge, face plate and 360-P4W-30T mounting plate (sold separately).

Opening Clearance (O.C.)

Clearances for door edge O.C. (A) and hinge side O.C. (B) are necessary. O.C. (A) and (B) change depending on door thickness and bore distance (C). Refer to locus chart and tables below when designing cabinets.

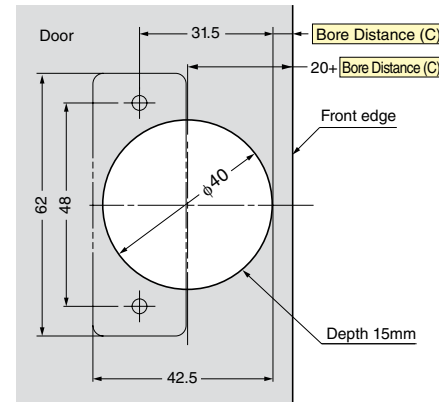
Opening clearance (B), door thickness (D) and bore distance (C) relationship

Door Thickness (D)	Bore Distance (C)					
	3	4	5	6	7	8
18	0.1	0.1	0.1	0.1	0.1	0.1
20	0.3	0.3	0.3	0.3	0.3	0.3
22	0.5	0.5	0.5	0.5	0.5	0.5
24	0.8	0.8	0.8	0.8	0.8	0.8
26	1.3	1.2	1.2	1.1	1.1	1.1
28	3.6	2.6	1.6	1.6	1.5	1.5
30	6.0	5.0	4.0	3.0	2.1	2.0
32*	8.4	7.4	6.4	5.4	4.4	3.4
34*	10.8	9.8	8.8	7.8	6.8	5.8

O.C. (B)

* The table above shows O.C. (B) for C1 chamfering (chamfer plane).
* Please refer to the locus chart if door thickness is over 30mm. O.C. (B) can be made smaller by R chamfering (round chamfer) and C chamfering (chamfer plane) on the door.

Cut out dimensions (wooden doors)



Item No.	Opening angle	Type	Material	Finish	Carton
H360-D26-26T	100°	Soft close (5 levels)	Steel	Nickel	100pcs
H360-26-26T		Free swinging			
H360-C26-26T		Self-closing			

THICK DOOR CONCEALED HINGE WITH ADJUSTABLE SOFT-CLOSE

H360-26/C26/D26

(16 mm overlay)



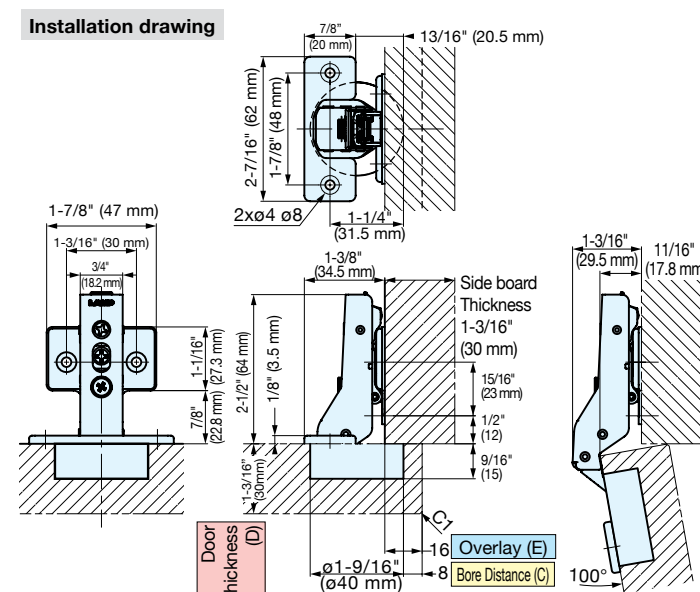
5-speed damper power adjustment lever

FOR THICK DOORS,
With damper function
(5 levels), 100° opening

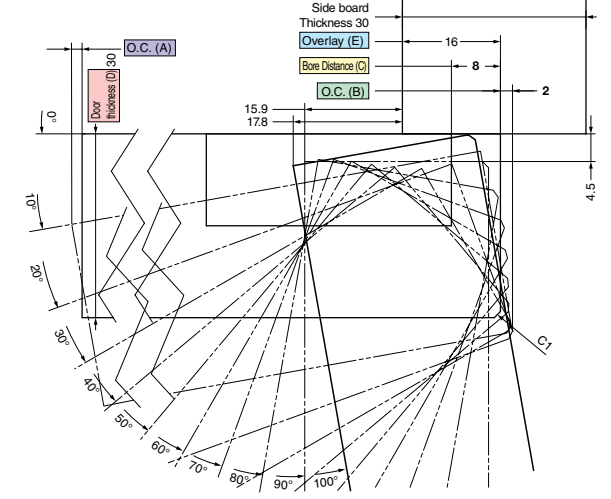
- Featuring 5-speed adjustable damper.
- Load capacity: 9 kg (19.8 lbs)/2 pcs, 15 kg (33 lbs)/3 pcs.
- Maximum door width: 600 mm (23-5/8").
- Maximum door thickness: 30 mm (1-3/16")
- Clip on type for easy installation.
- 3-way adjustment with door installed.
- Mounting plate sold separately.
- Successfully passed 200,000 cycles test.



Installation drawing



Locus chart S=1/1



Drawings show a hinge, face plate and 360-P4W-30T mounting plate (sold separately).

Opening Clearance (O.C.)

Clearances for door edge O.C. (A) and hinge side O.C. (B) are necessary. O.C. (A) and (B) change depending on door thickness and bore distance (C). Refer to locus chart and tables below when designing cabinets.

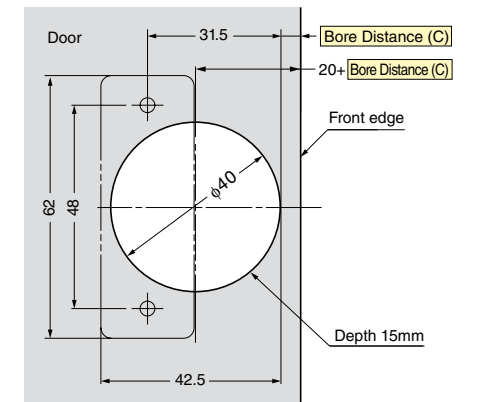
Opening clearance (B), door thickness (D) and bore distance (C) relationship

Door Thickness (D)	Bore Distance (C)					
	3	4	5	6	7	8
18	0.1	0.1	0.1	0.1	0.1	0.1
20	0.3	0.3	0.3	0.3	0.3	0.3
22	0.5	0.5	0.5	0.5	0.5	0.5
24	0.8	0.8	0.8	0.8	0.8	0.8
26	1.3	1.2	1.2	1.1	1.1	1.1
28	3.6	2.6	1.6	1.6	1.5	1.5
30	6.0	5.0	4.0	3.0	2.1	2.0
32*	8.4	7.4	6.4	5.4	4.4	3.4
34*	10.8	9.8	8.8	7.8	6.8	5.8

O.C. (B)

* The table above shows O.C. (B) for C1 chamfering (chamfer plane).
* Please refer to the locus chart if door thickness is over 30mm. O.C. (B) can be made smaller by R chamfering (round chamfer) and C chamfering (chamfer plane) on the door.

Cut out dimensions (wooden doors)



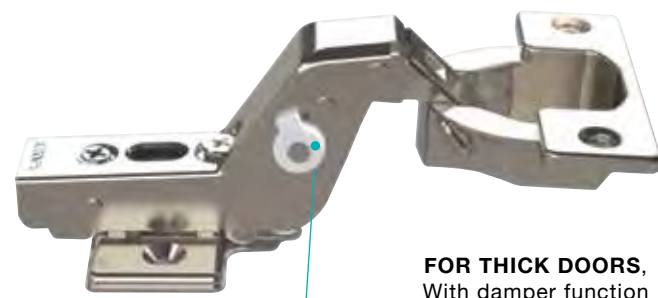
Item name	Opening angle	Type	Material	Finish	Carton
H360-D26-16T	100°	Soft close (5 levels)	Steel	Nickel	100pcs
H360-26-16T		Free swinging			
H360-C26-16T		Self-closing			

THICK DOOR CONCEALED HINGE WITH ADJUSTABLE SOFT-CLOSE



H360-26/C26/D26

(Inset)



5-speed damper power adjustment lever

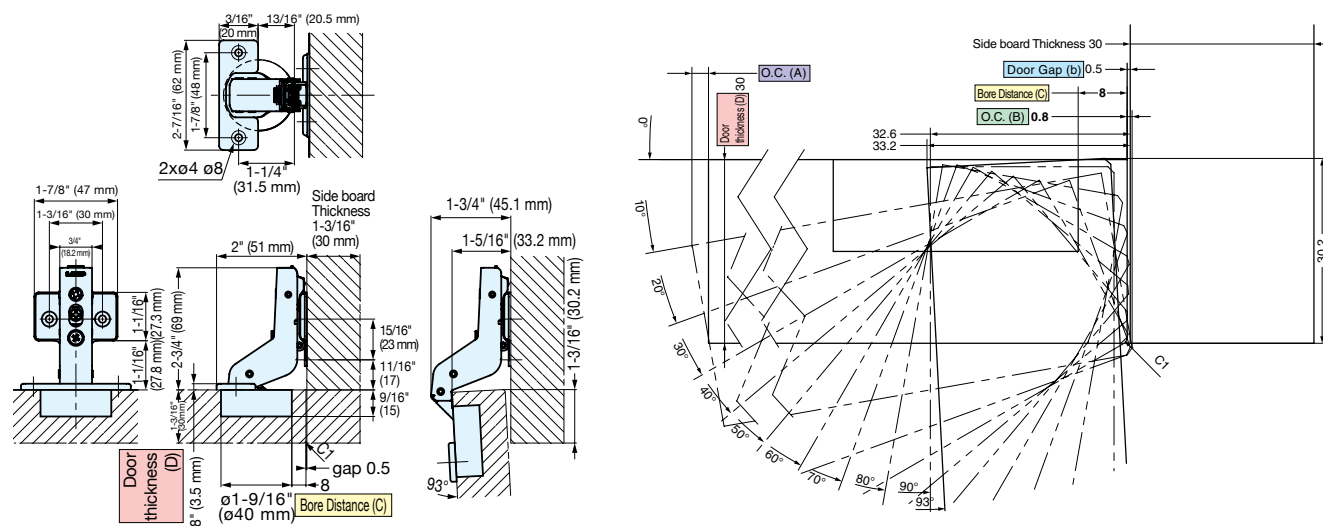
FOR THICK DOORS, With damper function (5 levels), 100° opening

- Featuring 5-speed adjustable damper.
- Load capacity: 9 kg (19.8 lbs)/2 pcs, 15 kg (33 lbs)/3 pcs.
- Maximum door width: 600 mm (23-5/8").
- Maximum door thickness: 30 mm (1-3/16")
- Clip on type for easy installation.
- 3-way adjustment with door installed.
- Mounting plate sold separately.
- Successfully passed 200,000 cycles test.



Installation drawing

Locus chart S=1/1



Drawings show a hinge, face plate and 360-P4W-30T mounting plate (sold separately).

Opening Clearance (O.C.)

Clearances for door edge O.C. (A) and hinge side O.C. (B) are necessary. O.C. (A) and (B) change depending on door thickness and bore distance (C). Refer to locus chart and tables below when designing cabinets.

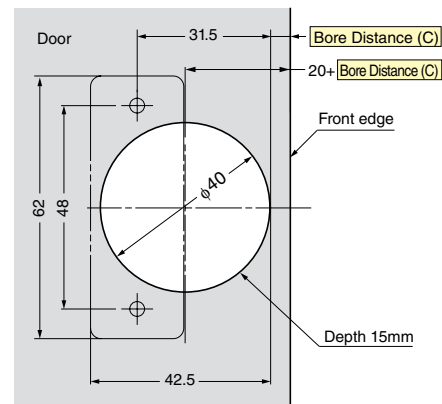
Opening clearance (B), door thickness (D) and bore distance (C) relationship

Door Thickness (D)	Bore Distance (C)					
	3	4	5	6	7	8
18	0	0	0	0	0	0
20	0	0	0	0	0	0
22	0	0	0	0	0	0
24	0.1	0.1	0.1	0.1	0.1	0.1
26	0.3	0.3	0.3	0.3	0.3	0.3
28	1.7	0.7	0.5	0.5	0.5	0.5
30	3.9	2.9	2.0	1.4	0.8	0.8
32*	5.9	4.9	3.9	3.3	2.6	2.1
34*	8.1	7.1	6.1	5.1	4.5	3.9

* The table above shows O.C. (B) for C1 chamfering (chamfer plane).

* Please refer to the locus chart if door thickness is over 30mm. O.C. (B) can be made smaller by R chamfering (round chamfer) and C chamfering (chamfer plane) on the door.

Cut out dimensions (wooden doors)



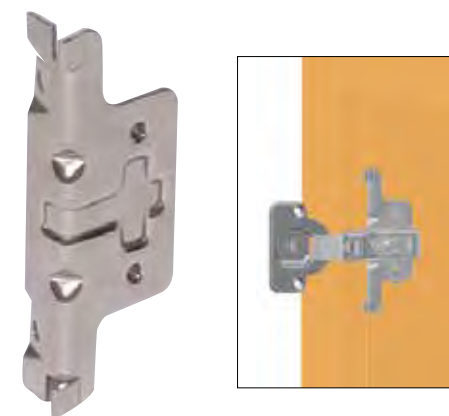
Item No.	Opening angle	Type	Material	Finish	Carton
H360-D26-0T	93°	Soft close (5 levels)	Steel	Nickel	100pcs
H360-26-0T		Free swinging			
H360-C26-0T		Self-closing			



FACE FRAME BRACKET

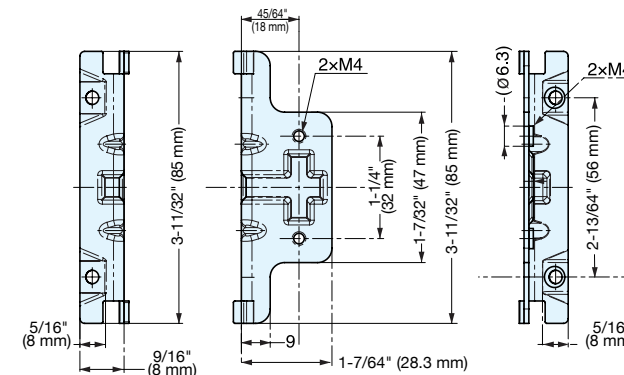


FFCB-HG-1



Material	Finish
304 Stainless Steel	Polished

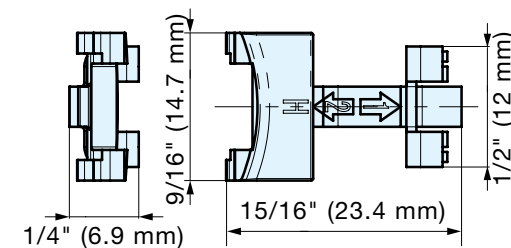
- Works with items below on face frame cabinets:
 - LIN-X
 - 304B Hinges (with 304B-P4A-32)
 - 230 Hinges (with 230-P4W-32T)
- Sold per piece.
- Please specify the quantity of brackets necessary when ordering: 1 bracket is needed for each arm (LIN-X) or hinge (304B, 230).



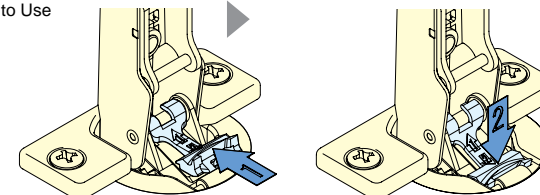
85° ANGLE LIMITER (THICK DOOR)

H360-85

- Limits the opening angle from 100° to 85° of the H360 hinge. (The H360 is a thick door model of OLYMPIA hinge series.)



How to Use



Item No.	Material	Color
H360-85	PBT	Grey



Sugatsune America
18101 Savarona Way,
Carson, CA 90746



sugatsune.com